

Technical data sheet

Product features



Refrigerating unit for INFINITY 4011 silent

Model	SAP Code	00011990
--------------	-----------------	----------



SAP Code	00011990	Net Weight [kg]	250.00
Net Width [mm]	1705	Power electric [kW]	5.420
Net Depth [mm]	945	Loading	400 V / 3N - 50 Hz
Net Height [mm]	1500		

Technical data sheet

Technical drawing

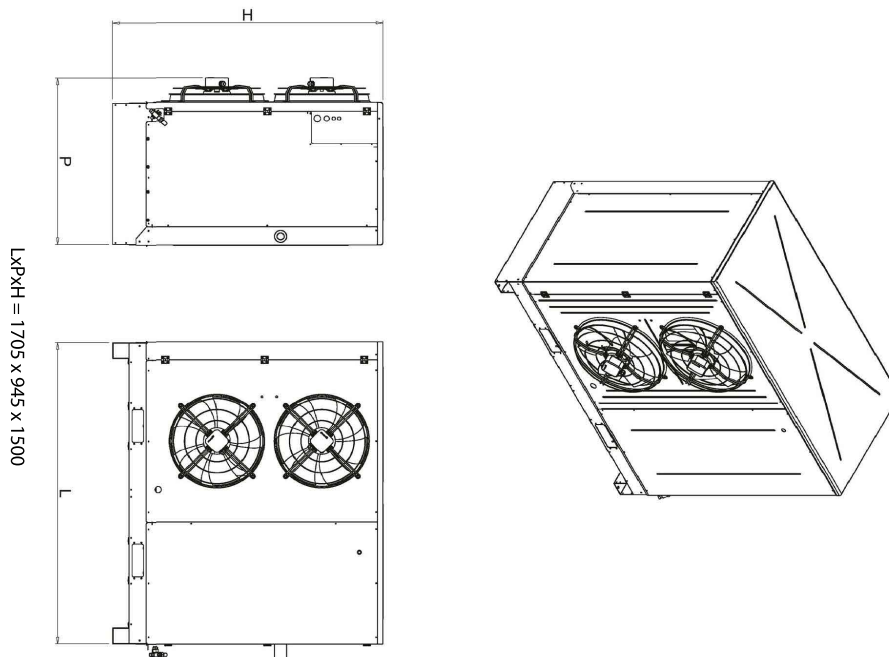


Refrigerating unit for INFINITY 4011 silent

Model

SAP Code

00011990



Technical data sheet

Technical parameters



Refrigerating unit for INFINITY 4011 silent

Model

SAP Code

00011990

1. SAP Code:

00011990

2. Net Width [mm]:

1705

3. Net Depth [mm]:

945

4. Net Height [mm]:

1500

5. Net Weight [kg]:

250.00

6. Gross Width [mm]:

1900

7. Gross depth [mm]:

1080

8. Gross Height [mm]:

1729

9. Gross Weight [kg]:

260.00

10. Device type:

Electric unit

11. Power electric [kW]:

5.420

12. Loading:

400 V / 3N - 50 Hz

13. Refrigerant:

R452a